

M860

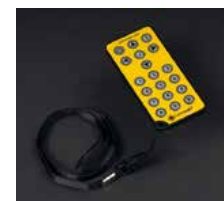
Solar Powered LED
Marine Lantern from
4 to 7+ NM Range

With a durable, large-format solar engine, the M860 is engineered for consistent, reliable performance at remote installations and in challenging insolation locations. This is a premium and full-featured lantern that is suitable for achieving longer ranges in challenging insolation locations. To view performance in your installation location visit www.carmanahmarine.com/selector

- Option for standard or wide divergences (for fixed or floating applications)
- Multiple cost-effective battery pack options suitable for a wide variety of installation locations
- Built-in calendar function for automatic de-activation during off-season months
- Top-mounted 4-character LED display with simple »tap to activate« functionality
- Premium grade, UV resistant polycarbonate lens material
- Environmentally friendly, super durable powdercoated aluminium chassis
- Adjustable intensity and range
- IP 68 rated
- GPS synchronized flash option
- Remote monitoring options available



Top-mounted display
Easily check light settings with a »tap-to-activate« digital display.



Infrared programmer
Check battery state of charge, program flash codes, set intensities and more.



Optical Assembly
Durable, UV resistant optical lens with options for standard (8°) or wide (10°) divergence.



Scalable Battery Pack
Multiple replaceable, recyclable battery pack options for reliable, cost-effective performance in a variety of installation locations.



Visible Colour Indicator
LED colour is clearly indicated by the colour of the lantern head.



External Charge Port
Optional charge port in the lantern base allows for easy overnight charging via wall plug.



Installation
Supports installation on structure using 3 x M12 bolts, 4 M12 bolts, or 5 x M12 bolts on a 200 mm diameter. Standard and security bolt kits are available.

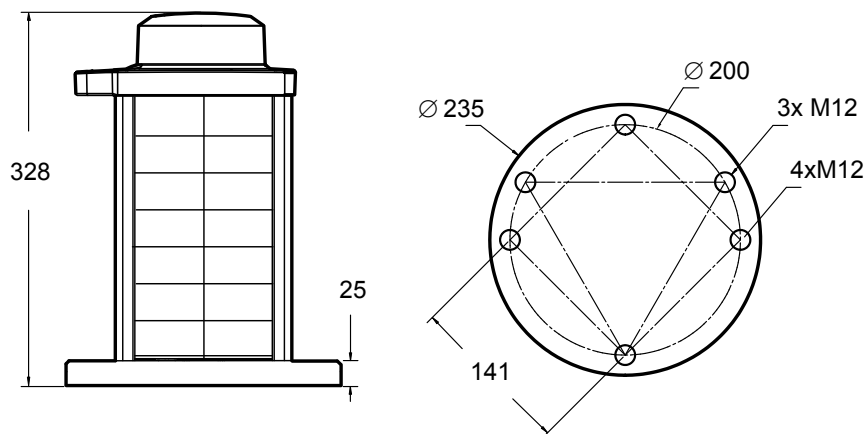


Bird Deterrent
Stainless steel bird deterrents. Five deterrents supplied with option for up to ten per lantern.



Solar Modules
High efficiency cells protected by rugged powder-coated aluminium extrusion.

Technical Specification M860



Optical performance

Maximum fixed intensity

M860	239 cd	290 cd	445 cd	320 cd
------	--------	--------	--------	--------

NOTE: Peak IALA intensity dependent on location. To view performance in your installation location visit www.carmanahmarine.com/selector.

Main Technical Specification

Lens visual/Mechanical diameter	111 mm
Construction	Premium grade, UV resistant polycarbonate lens/head and polycarbonate/polysiloxane co-polymer base
Light source	High Flux Surface Mount LEDs with colour-specific temperature-corrected LED driver
Solar modules	High-efficiency cells; MPPT
Battery	Multiple replaceable, recyclable battery options (refer to options matrix)
Degree of ingress protection	IP 68 immersion
Weight	6.4 kg M860 96E 10.2 kg M860 200BC
Overall height	328 mm
Overall width	235 mm dia.
Installation	3, 4 or 5 x M12 on 200 mm dia.

Order Overview M860

Option matrix

Model	Colour Options	Battery	Lens	Control	Charge Port
M860	Red	96E	Standard (8°)	GPS Sync	With External Chargeport
	White				
	Green	200BC	Wide (10°)	Non-GPS Sync	Without External Chargeport
	Yellow				

Accessories

71757	M800 Series Standard Bolt Kit
71884	M800 Series Security Bolt Kit (drivers not included)
53288	M800 Series Security Key
53289	M800 Series Security Socket
69885	M800 Series AC/DC 12V-2.5A Charger, International Plug Adapters
69934	Bird Deterrent (single)
BATTERY KIT 96E	M800 Series Battery Replacement Kit - 96 Wh
BATTERY KIT 200BC	M800 Series Battery Replacement Kit - 200 Wh
HEAD KIT	M800 Series Head Replacement Kit (please specify colour at time of order)
HEAD KIT GPS	M800 Series GPS Head Replacement Kit (please specify colour at time of order)
69899	Remote Control