

## LED 110

Marine LED light for buoys and small beacons

LED 110 is a maintenance free short range LED lantern. Using the latest in high power LEDs, Sabik's intelligent electronics and our specially designed efficient optics, we have been able to achieve an excellent performance for the lantern. LED 110 is made from polycarbonate for durability and low weight.

- Range 4 nm at Tc = 0.74 (5 nm at Tc = 0.85)
- Standard IALA colours Red, Green, White and Yellow
- Produced of durable polycarbonate plastic
- Integrated flasher with day light switch and a 2 ampere solar panel charger
- Internal calendar; light can be switched off for winter
- Adjustable intensity and range
- Vertical divergence 8° @ 50 % (±1°) of peak intensity
- Programming with a wireless Sabik PDA Programmer or with a PC/USB interface
- Integrated event log (Black box function) for 365 days
- Optionally integrated GPS synchronization
- Optionally integrated GSM remote monitoring



**Lens**  
Bird deterrent top design.



**Optical lens**  
New efficient omnidirectional lens.



**PDA Programmer**  
Wireless two-way communication using a Windows based PDA programmer.



**Programming with PC**  
Using Sabik USB interface.



**Sabik Easy Programmer**  
User friendly and compact wireless two-way programmer.



**Cable entry**  
From side or bottom of the lantern.

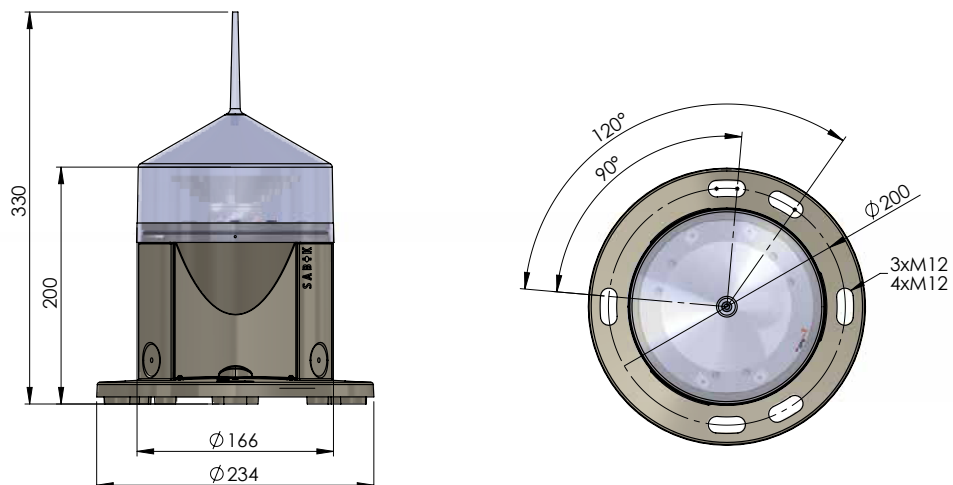


**Installation**  
The bottom plate of the SC 110 supports installation on structure using 3 or 4 x M12 on a 200 mm diameter or 3 x M8 on a 150 mm diameter.



**PTFE breathing**  
Vent for pressure release in the bottom of the lantern.

## Technical Specification LED 110



### Optical performance

#### Maximum fixed intensity

LED 110	40 cd	40 cd	50 cd	45 cd
---------	-------	-------	-------	-------

### Main Technical Specification

Lens visual/Mechanical diameter	166 mm
Lens material	UV stabilized Polycarbonate
Body material	UV stabilized Polycarbonate
Light source	High Power Light Emitting Diode (LED)
Vertical divergence	8° @ 50% (±1°) of peak intensity
Unit lifetime	Up to 10 years
Weight	2 kg
Temperature range	-40°...+60°C
Degree of protection	IP 67
Supply Voltage	9 – 30 VDC
Power consumption	Max 1,3 watt

## Order Overview LED 110

### Option matrix

LightGuard GSM + GPS	Integrated GSM based monitoring including GSM/GPS antennas
GPS sync	Integrated GPS sync with external GPS antenna in lantern top
Optical Feedback System	Integrated LED performance measurement
Shock & Tilt Sensor	Integrated 3-axis G sensor for tilt and shock sensing

### Product codes

LED 110 wide lens	Colour
LED 110 WW	white
LED 110 WR	red
LED 110 WG	green
LED 110 WY	yellow