

## LED 350

High intensity LED light for fixed installations

LED 350 is a high performance omnidirectional LED precision beacon with a range of 15 nautical miles. 10 nm range with white achieved with less than 10 watts.

- High light efficiency; 175 candela/watt
- Supplied with 1-7 tiers, max 14 700 cd luminous intensity white
- Standard IALA colours Red, Green, White, Yellow
- Rugged aluminium housing for installation in marine environment
- Extremely low power consumption, suitable for solar and battery operation
- Integrated flasher with day light switch and a 16 ampere solar panel charger
- Field adjustable intensity and range
- Programming with wireless Sabik Easy Programmer, Sabik PDA Programmer or USB/IR interface
- Integrated 365 day event log
- Optionally integrated GPS synchronization
- Optionally integrated GSM Remote monitoring



**Bird spikes**  
Stainless steel bird deterrents as standard. Easy to replace. Offers great protection against large birds like cormorants. Spike designed to prevent injury to service technicians.



**Level indicator**  
The lantern can easily be levelled in field using the integrated bubble level indicator.



**IR port and photocell**  
Combined infrared communication port and photocell is located on the base of the lantern.



**Additional cable entry**  
Equipped as standard with two cable entries. If the secondary entry is needed e.g. for a solar module standard M20 cable gland can be fitted.



**Sabik Easy Programmer**  
User friendly and compact wireless two-way programmer.



**PDA Programmer**  
Wireless two-way communication using a Windows based PDA with infrared port. Flash code, range and photocell switch level etc. can be set. The Programmer can also retrieve the Event Log.



**Installation**  
The bottom plate of the LED 350 supports installation on structure using 3 x M12 bolts or 4 x M12 bolts on a 200 mm diameter.



**Grounding plug**  
The base plate has a grounding plug as standard to enable good protection against electromagnetic interference.



**External baffles**  
The lantern can be optionally supplied with multiple colours using external radial baffles between the colours. This enables warning sectors to be integrated in the same lantern.

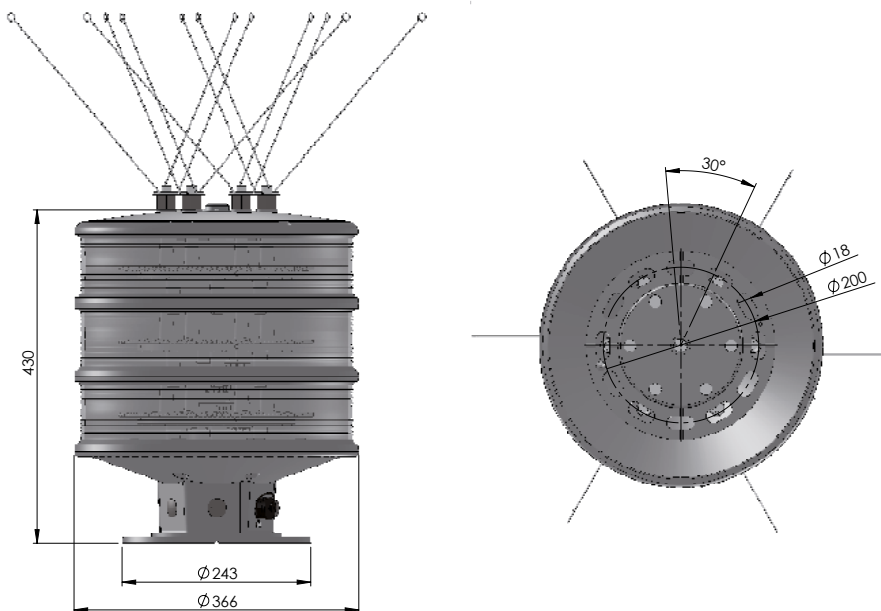


**Simplex Combinations**  
The LED 350 lantern can also be combined with the LED 155 buoy lantern in order to increase short distance visibility.



**Triplex**  
Multiple tiers up to 7 tiers for high intensity.

## Technical Specification LED 350



### Optical performance

| Maximum fixed luminous intensity |          |          |           |           |
|----------------------------------|----------|----------|-----------|-----------|
| 1-tier, 12 W                     | 1.400 cd | 1.400 cd | 2.100 cd  | 1.500 cd  |
| 2-tiers, 24 W                    | 2.800 cd | 2.800 cd | 4.200 cd  | 3.000 cd  |
| 3-tiers, 36 W                    | 4.200 cd | 4.200 cd | 6.300 cd  | 4.500 cd  |
| 4-tiers, 48 W                    | 5.600 cd | 5.600 cd | 8.400 cd  | 6.000 cd  |
| 5-tiers, 60 W                    | 7.000 cd | 7.000 cd | 10.500 cd | 7.500 cd  |
| 6-tiers, 72 W                    | 8.400 cd | 8.400 cd | 12.600 cd | 9.000 cd  |
| 7-tiers, 84 W                    | 9.800 cd | 9.800 cd | 14.700 cd | 10.500 cd |

### Main Technical Specification

|                                 |   |
|---------------------------------|---|
| Lens visual/Mechanical diameter | 350 mm  |
| Lens material                   | UV stabilized Polycarbonate                               |
| Light source                    | Light Emitting Diodes (LEDs)                              |
| Vertical divergence             | 1.5° @ 50% (±0.3°) and 3° @ 10% (±0.5°) of peak intensity |
| Unit lifetime                   | Up to 10 years  |
| Weight                          | 8 kg for single tier unit, add 2 kg for each tier         |
| Temperature range               | -40°...+60°C  |
| Supply Voltage                  | 10 – 32 VDC   |
| Solar Panel Charger             | 16 ampere PWM charger. Solar production (Ah) is logged    |
| Power consumption               | 12 watts / tier   |
| Degree of protection            | IP 67   |

## Order Overview LED 350

### Option matrix

|                         |  |
|-------------------------|--|
| LightGuard GSM          | Integrated GSM based monitoring including GSM antenna        |
| LightGuard GSM + GPS    | Integrated GSM based monitoring including GSM/GPS antennas   |
| GPS sync                | Integrated GPS sync with external GPS antenna in lantern top |
| Optical Feedback System | Integrated LED performance measurement                       |
| External baffles        | External baffles when unit is supplied with colored sectors  |

### Product codes

| LED 350<br>1 LAYER | LED 350<br>2 LAYER | LED 350<br>3 LAYER | LED 350<br>4 LAYER | LED 350<br>5 LAYER | LED 350<br>7 LAYER | Colour |
|--------------------|--------------------|--------------------|--------------------|--------------------|--------------------|--------|
| 980224             | 980228             | 980232             | 980243             | 980236             | 980278             | white  |
| 980221             | 980225             | 980230             | 980240             | 980234             | 980275             | red    |
| 980223             | 980227             | 980233             | 980242             | 980235             | 980277             | green  |
| 980222             | 980226             | 980231             | 980241             | 980237             | 980276             | yellow |