

LO 200

High Intensity LED Range Light Signal

The LO 200 signal is designed for applications requiring medium and long range directional light, such as range lights and port entry signals.

- **High intensity precision range light**
- **Intensity adjustable from 5% to 100%**
- **Housing fully waterproof with PTFE vent for breathing**
- **Visual range up to 15nm (Tc = 0,74)**
- **Standard IALA colours Red, Green, White and Yellow**
- **Low power consumption, ideal for solar system**
- **Flasher with day light switch can be integrated in lantern or installed externally in battery cabin**
- **Integrated 16 ampere PWM solar panel regulator when flasher is integrated**
- **Programming with wireless Sabik Easy Programmer, PDA Programmer or USB/IR interface**
- **Optionally internal GPS synchronization**
- **Optional night time reduction if operated day and night**



Aluminium housing
The lantern enclosure is made from marine grade aluminium.



Sun shield
Protects lens from dust and bird droppings. Improves contrast in daytime use.



Installation
The lantern can easily be installed on any flat surface with four M10 size bolts.



PTFE breathing
Vent for pressure release in the back of the lantern.



Polycarbonate lens
The optical lens consists of 120 pcs miniature Fresnel elements creating a high efficient precision beam.



Sabik Easy Programmer
User friendly and compact wireless two-way programmer.



PDA Programmer
Wireless two-way communication using a Windows based PDA with infra red port. Flash code, range and photocell switch level etc. can be set. The Programmer can also retrieve the event log.



Level indicator
The integrated level indicator makes horizontal levelling easy.

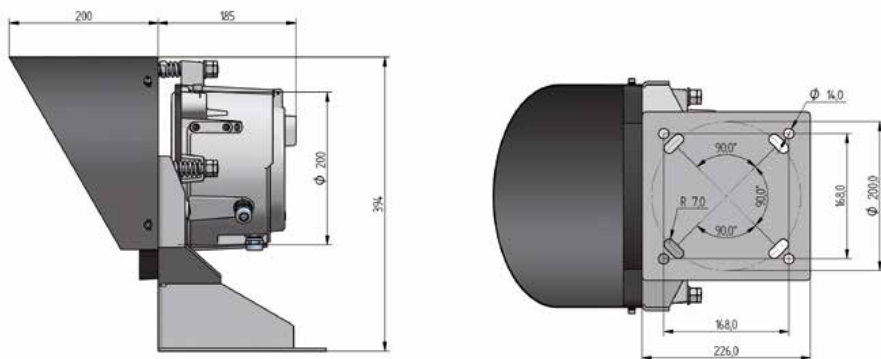


Light beam adjustment
The direction of the light beam can be adjusted with 3 bolts. The 3 axis adjustment system enables both vertical and horizontal alignment.



Precision alignment
A gun sight can be utilized for precision alignment to the center line of the range.

Technical Specification LO 200



Optical performance

Maximum fixed intensity

At full power 12/15 W	20.000 cd	20.000 cd	25.000 cd	20.000 cd
--------------------------	-----------	-----------	-----------	-----------

Main Technical Specification

Lens visual/Mechanical diameter	203 mm (8")
Lens material	UV stabilized Polycarbonate
Light source	Light Emitting Diodes (LEDs)
Lens divergence (horizontal and vertical)	4° @ 50 % (± 1°) of peak intensity 8° @ 10 % (± 2°) of peak intensity
Unit lifetime	Up to 10 years
Weight	8 kg
Temperature range	-40°...+60°C
Supply Voltage	9 – 30 VDC
Power consumption	15 watts red /yellow, 12 watts green/ white at full intensity
Degree of protection	IP 66

Order Overview LO 200

Option matrix

LightGuard GSM	Integrated GSM based monitoring with external GSM antenna
LightGuard GSM + GPS	Integrated GSM based monitoring with external antennas
GPS sync	Integrated GPS sync only unit with external GPS antenna

Product codes

Product	Colour
LO 200W	white
LO 200R	red
LO 200G	green
LO 200Y	yellow