

LS 100

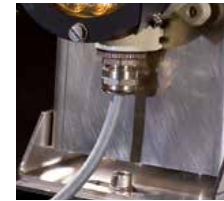
LED Range Light Signal

The LS 100 LED signal is designed for applications requiring short and medium range directional light, such as range lights and port traffic signals.

- **Small and compact lantern**
- **Intensity adjustable in three steps from 25 % to 100 %**
- **Fully waterproof housing with PTFE vent for breathing**
- **Visual range from 2 to 10 nm (TC = 0.74)**
- **Standard IALA colours Red, Green, White and Yellow**
- **Low power consumption, ideal for solar system**
- **Flasher with day light switch can be integrated in lantern or installed externally in battery cabin**
- **Integrated solar panel regulator with LED Flasher**
- **Configuration and field maintenance with Programmer Mk2 or laptop computer**
- **Optional external GPS synchronization**
- **Optional external GSM Remote monitoring**



Sun shield
Protects lens from dust and bird droppings, and improves contrast in daytime.



Mounting pedestal
The optional adjustable pedestal in AISI 316 stainless steel enables an easier alignment of the pencil beam with assistance of a precision gun sight.



Installation
The mounting pedestal has an integrated holder for an eye sight tool.



Polycarbonate lens
The optical lens consists of 24 pcs miniature Fresnel elements creating a high efficiency precision beam.

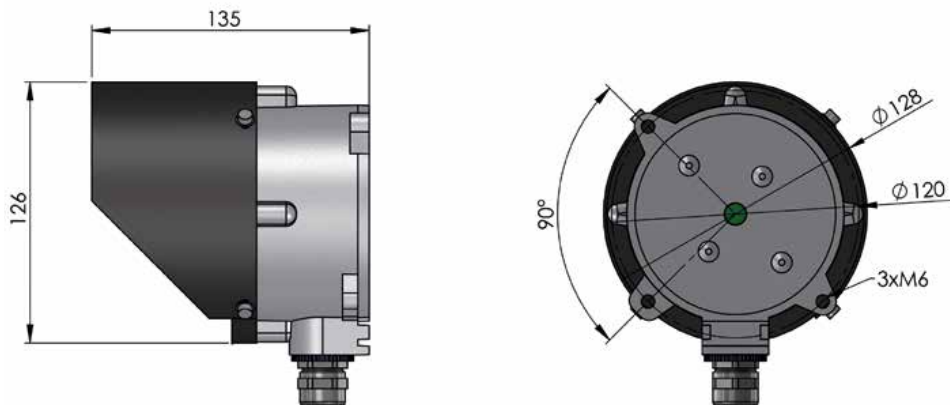


Programmer MK2
Configuration and retrieval of operating data with portable Programmer. Flash code and photocell switch level etc. can be set. No need to open lantern on normal service call.



Sabik LHC Controller
When remote monitoring or more functionality is needed, like flash character, intensity setting etc. Sabik Lighthouse Controller can be used together with the light.

Technical Specification LS 100



Optical performance

Maximum fixed intensity

At full power 4 W **3.000 cd** 3.000 cd 5.000 cd 4.000 cd

Main Technical Specification

Lens visual/Mechanical diameter	100 mm
Lens material	UV stabilized Polycarbonate
Light source	Light Emitting Diodes (LEDs)
Lens divergence (horizontal and vertical)	4° @ 50% (± 1°) of peak intensity 8° @ 10% (± 2°) of peak intensity
Unit lifetime	Up to 10 years
Weight	1,5 kg with integrated flasher
Temperature range	-40°...+60°C
Supply Voltage	9 – 28 VDC
Power consumption	3 watts at full intensity

Order Overview LS 100

Option matrix

SmartSync GPS	GPS based synchronization installed in external box
---------------	---

For monitoring we recommend LHC.

Product codes

LS 100 STANDARD	LS 100 S with SMARTFLASHER	LS 100 S with LEDFLASHER	SC LS 100	Colour
920039	920044	920044LF	920139	white
920036	920041	920041LF	920137	red
920037	920043	920043LF	920138	green
920038	920042	920042LF	920137	yellow