



---

**MARINE**

Aids to  
**NAVIGATION**  
**Seagull Buoys**

# Seagull Navigation Buoy

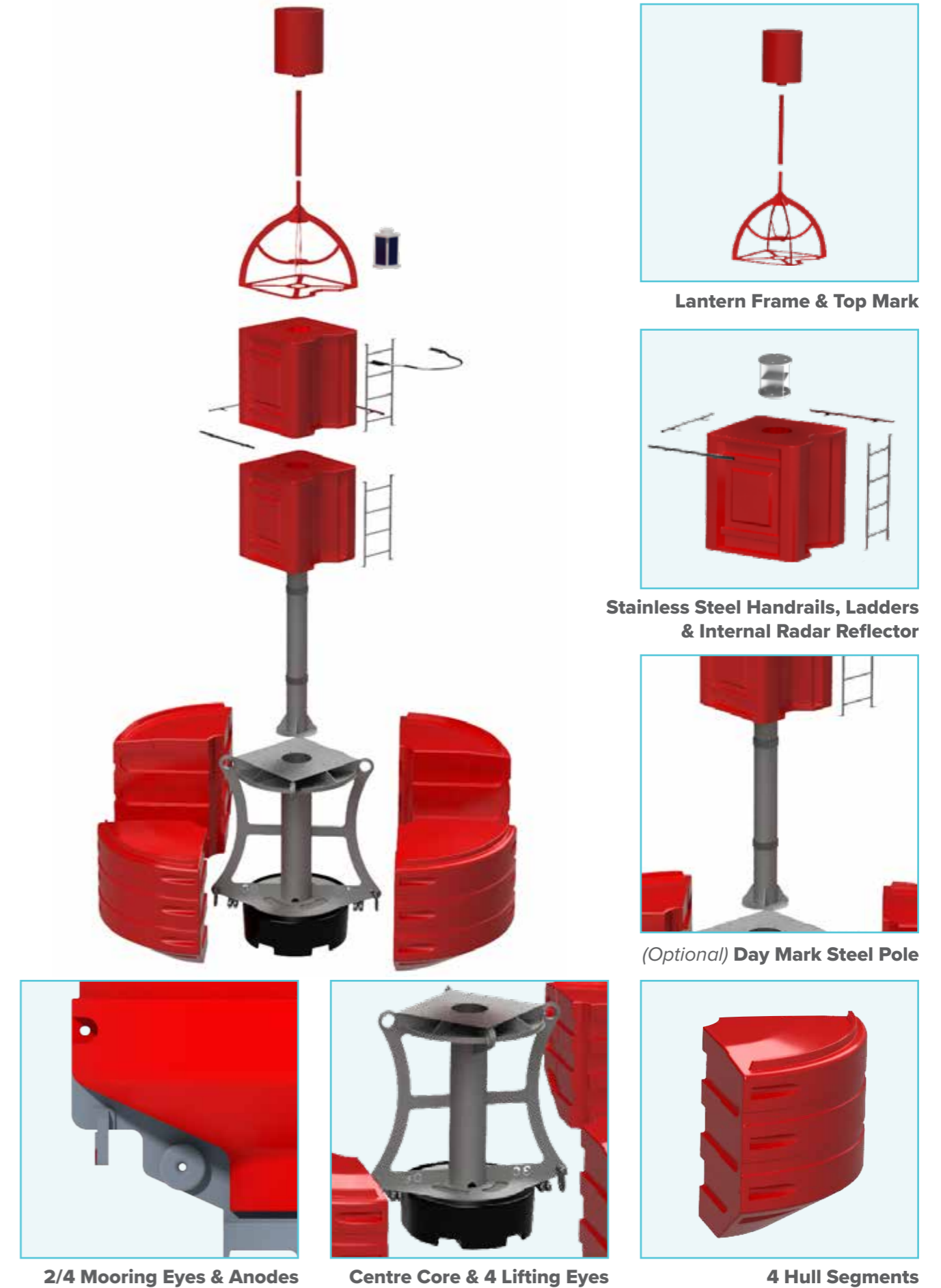
The Seagull range is made from marine grade (UV stabilised) virgin polyethylene and has a central steel core for support and durability. The highly visible daymark provides a focal height ranging from 3.5m - 6m. Our Seagull navigation buoy range has a unique ballast system, versatile power options, and environmental sustainability. The design prioritises safe maintenance access and ease of use. The range is available in IALA Maritime Buoyage System recommended colors and configurations with optional daymark shapes to suit installation needs.

## Features & Benefits

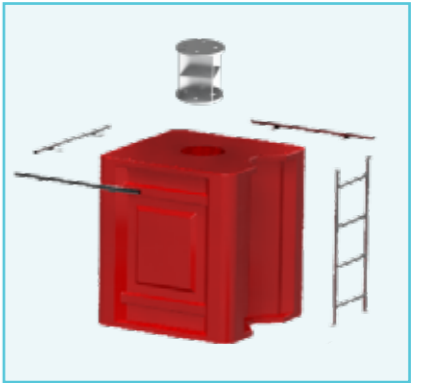
- Manufactured from marine grade (UV stabilised) virgin polyethylene
- Solid base plate adding extra protection under the buoy hull
- Safe working area aluminium crow's nest
- Reduced hydrodynamic drag and the watch circle (swing radius)
- Open central core for data applications available
- Fitted with four large lifting eyes for ease of installation and during maintenance
- Four mooring eyes fitted with replaceable hardened steel bushes
- Mooring eyes (bridal system) for increased stability in harsh marine environments
- 316 grade stainless steel top mark hand rail
- Replaceable sacrificial anodes for corrosion protection
- Modular design making it easier to replace damaged parts if necessary
- Stands upright on the deck of vessel for ease of storage on site
- Slip resistant surface on hull deck
- Suitable for all AIS Systems & stand alone lanterns



# Seagull Navigation Modular Buoy



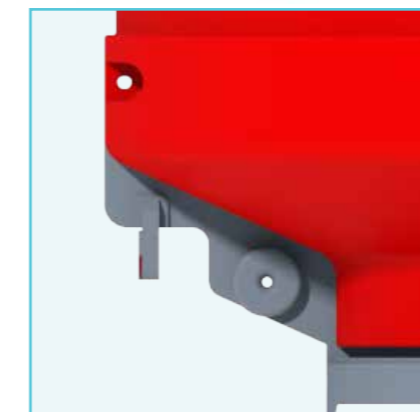
Lantern Frame & Top Mark



Stainless Steel Handrails, Ladders & Internal Radar Reflector



(Optional) Day Mark Steel Pole



2/4 Mooring Eyes & Anodes



Centre Core & 4 Lifting Eyes



4 Hull Segments

## Seagull Ø2600

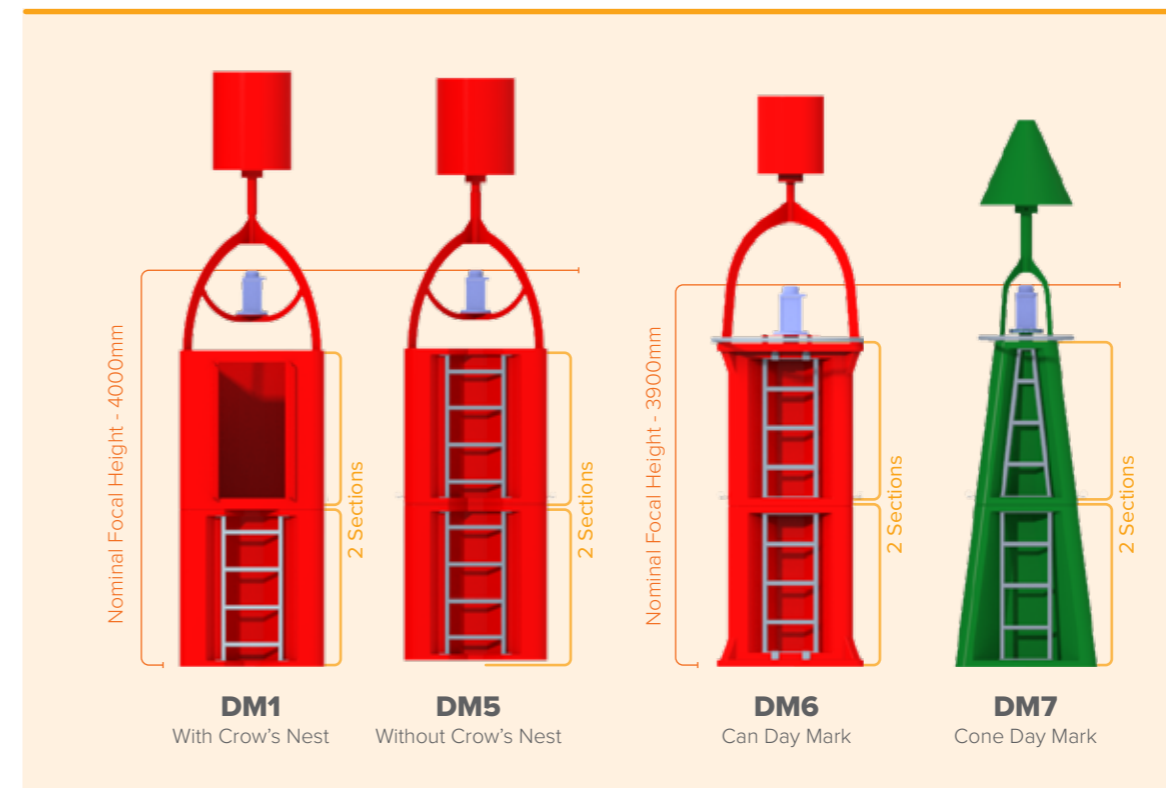
The SG2600 buoy has a large visual daymark with a nominal focal height of up to 4000mm. It features a unique central core steel arrangement connecting the lifting eyes to the mooring eyes for superior strength and durability with a hardened steel bushing system. The twin bridal mooring provides greater stability in fast water currents. The centre core is fitted with four lifting eyes for ease of maneuverability during installation or servicing.

<b>Code</b>	SG2600
<b>Diameter</b>	Ø2600mm
<b>Nominal Focal Height</b>	3890mm - 4000mm
<b>Overall Height</b>	6760mm - 7726mm
<b>Nominal Draft</b>	1300mm
<b>Weight</b>	2652kg - 3189kg
<b>Number lifting eyes</b>	H1, H3, H4 = 4   H5, H5SS = 2
<b>Internal diameter of lifting eye</b>	140mm
<b>Number of mooring eyes</b>	H1, H4 = 4   H3 = 1   H5, H5SS = 2
<b>Internal diameter of mooring eye</b>	64mm
<b>Safe working load 1 eye</b>	9500kg
<b>Safe working load 2 eyes</b>	14000kg
<b>Colours</b>	In accordance with IALA Maritime Buoyage System
<b>Life Expectancy</b>	15 - 20 years
<b>Warranty</b>	3 Years (extended warranty available upon request)
<b>Lantern Options</b>	As per requirements
<b>Recommended Chain Sizes</b>	25mm - 36mm (chain size will be dependent on the sea state conditions)



## Seagull Ø2600 Matrix

### Options for Day Marks available for Seagull Ø2600



### Options for Hulls available for Seagull Ø2600

# Seagull Ø3000

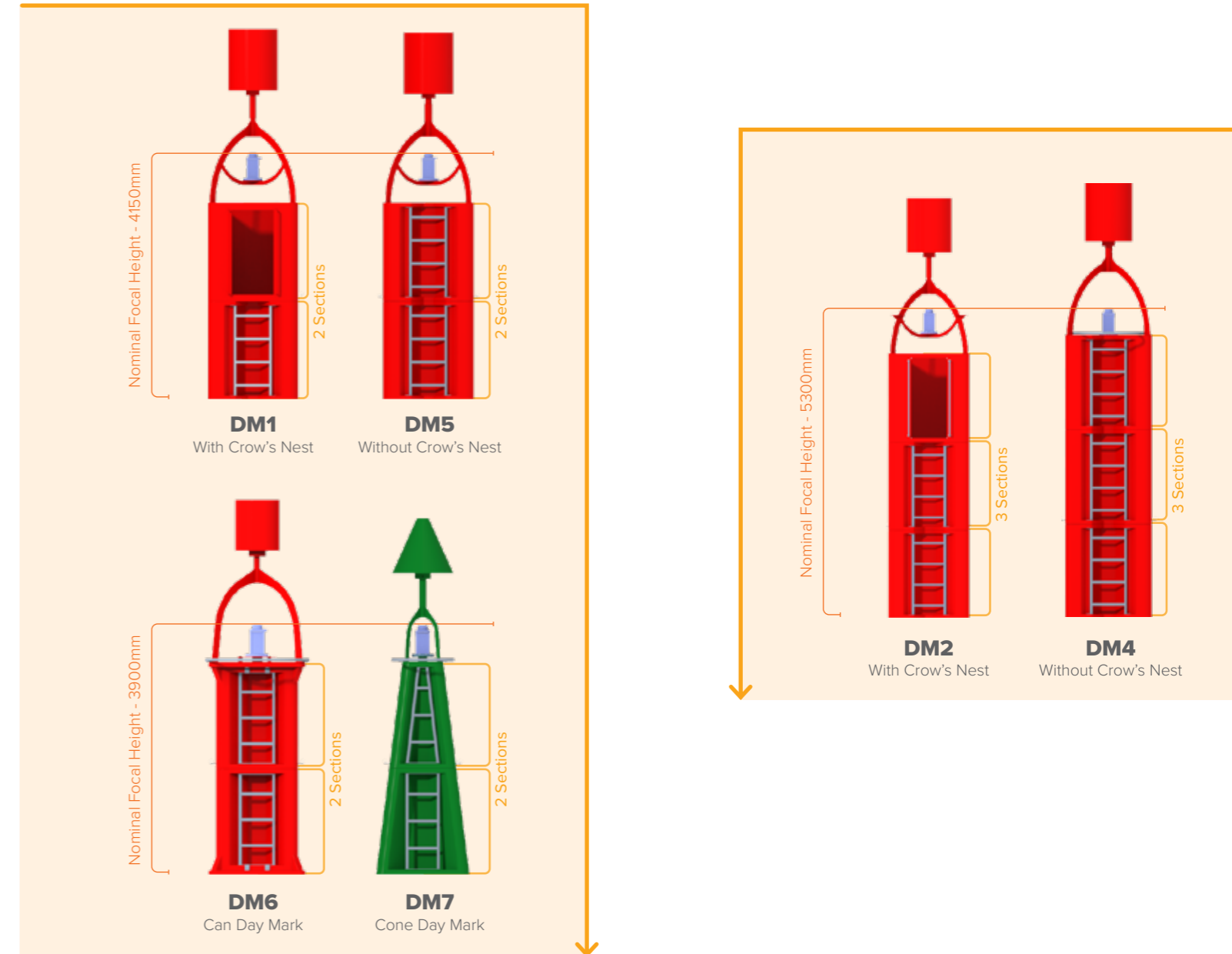
The SG3000 is built from marine grade (UV stabilised) polyethylene, ensuring durability in harsh environments. Its solid base plate provides extra protection while the aluminium crow's nest offers a safe working area for maintenance personnel. Its design minimizes hydrodynamic drag and swing radius for high efficiency. The SG3000 has four large lifting eyes, making it easy to install and maintain with extended lifting eyes available on request. The SG3000 is equipped with four mooring eyes featuring replaceable hardened steel bushes with extended lifting eyes available on request.

<b>Code</b>	SG3000
<b>Diameter</b>	Ø3000mm
<b>Nominal Focal Height</b>	3825mm - 5400mm
<b>Overall Height</b>	6545mm - 8966mm
<b>Nominal Draft</b>	1300mm
<b>Weight</b>	3100kg - 3400kg
<b>Number lifting eyes</b>	H1, H4 = 4   H5, H5SS = 2
<b>Internal diameter of lifting eye</b>	140mm
<b>Number of mooring eyes</b>	H1, H4 = 4   H5, H5SS = 2
<b>Internal diameter of mooring eye</b>	64mm
<b>Safe working load 1 eye</b>	9500kg
<b>Safe working load 2 eyes</b>	14000kg
<b>Colours</b>	In accordance with IALA Maritime Buoyage System
<b>Life Expectancy</b>	15 - 20 years
<b>Warranty</b>	3 Years (extended warranty available upon request)
<b>Lantern Options</b>	As per requirements
<b>Recommended Chain Sizes</b>	25mm - 36mm (chain size will be dependent on the sea state conditions)



# Seagull Ø3000 Matrix

## Options for Day Marks available for Seagull Ø3000



## Options for Hulls available for Seagull Ø3000